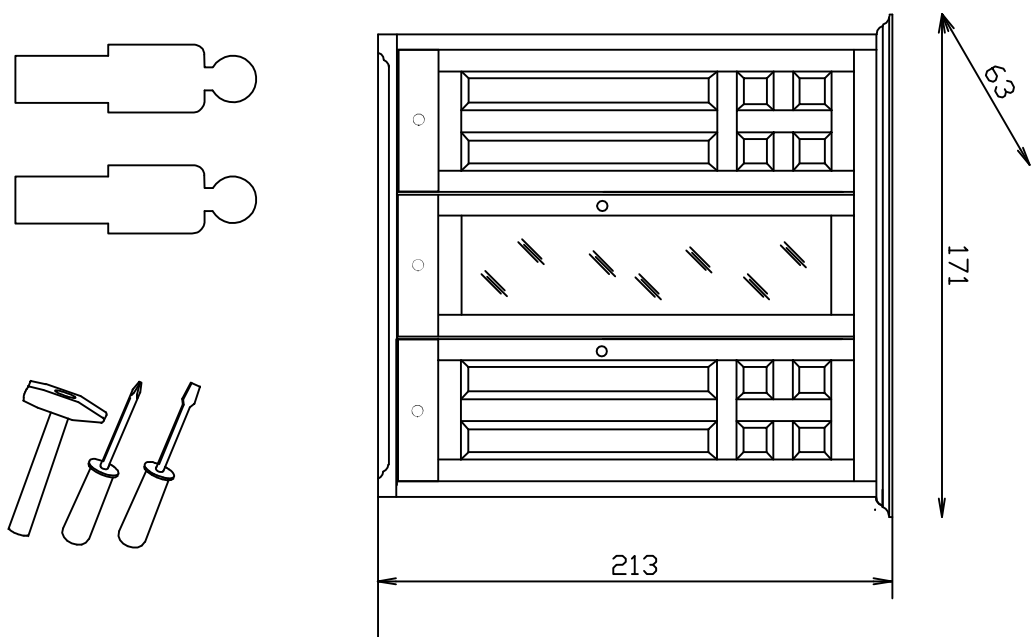

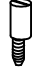


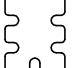














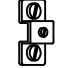


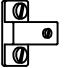


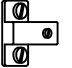


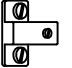

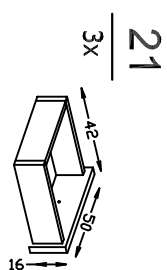
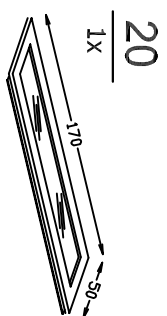
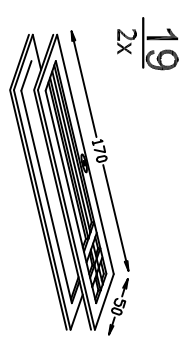
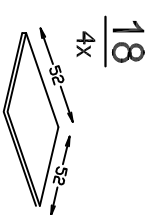
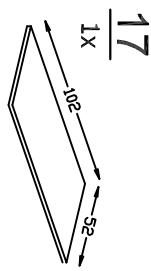
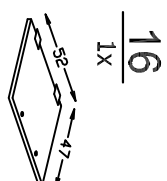
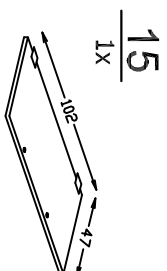
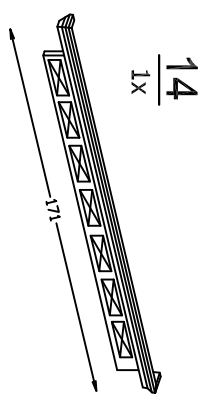
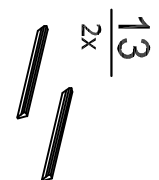
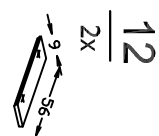
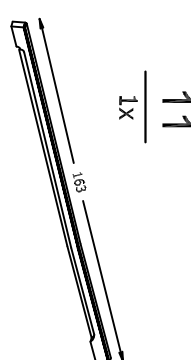
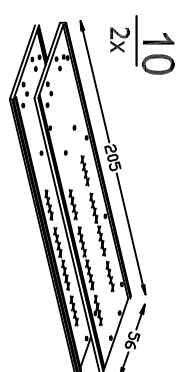
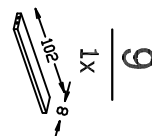
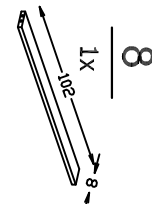
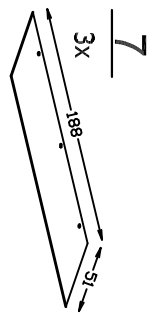
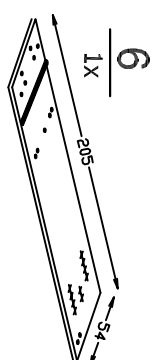
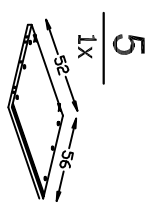
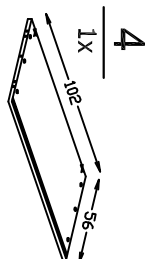
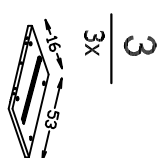
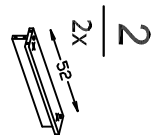
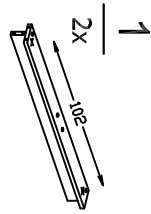


EDENBERG 3

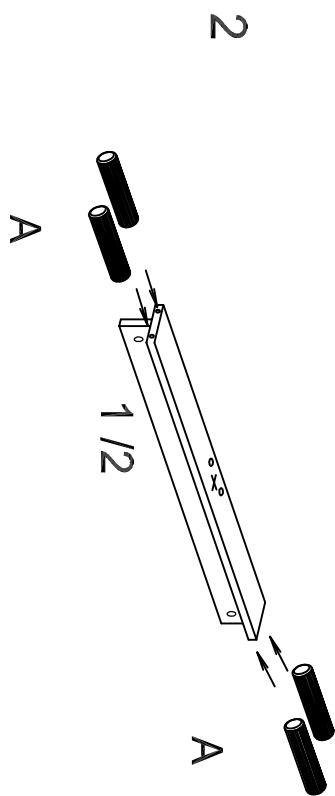
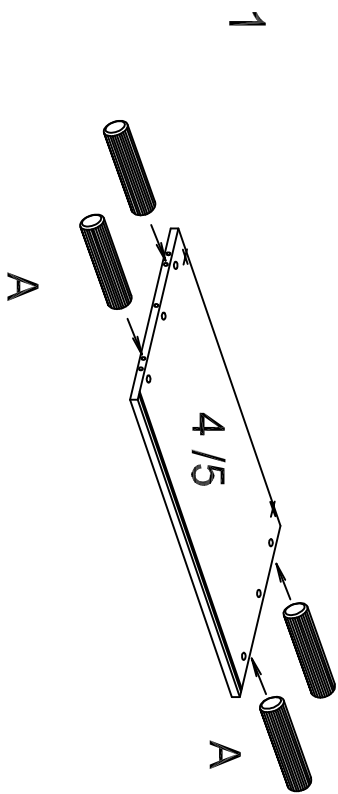


	$\frac{A}{50x}$		$\frac{K}{8x}$		$\frac{T}{3x}$
	$\frac{B}{25x}$		$\frac{L}{2x}$		$\frac{U}{2x}$
	$\frac{C}{6x}$		$\frac{M}{8x}$		$\frac{V}{20x}$
	$\frac{D}{37x}$		$\frac{N}{28x}$		$\frac{W}{2x}$
	$\frac{E}{12x}$		$\frac{O}{8x}$		$\frac{X}{1x}$
	$\frac{F}{12x}$		$\frac{P_1}{8x}$		$\frac{Y}{1x}$
	$\frac{G}{12x}$		$\frac{P_2}{4x}$		$\frac{Z}{18x}$
	$\frac{H}{1x}$		$\frac{R_2}{4x}$		$\frac{Z}{18x}$
	$\frac{I}{8x}$		$\frac{R_3}{8x}$		$\frac{Z}{18x}$
	$\frac{J}{8x}$		$\frac{R_3}{8x}$		$\frac{Z}{18x}$

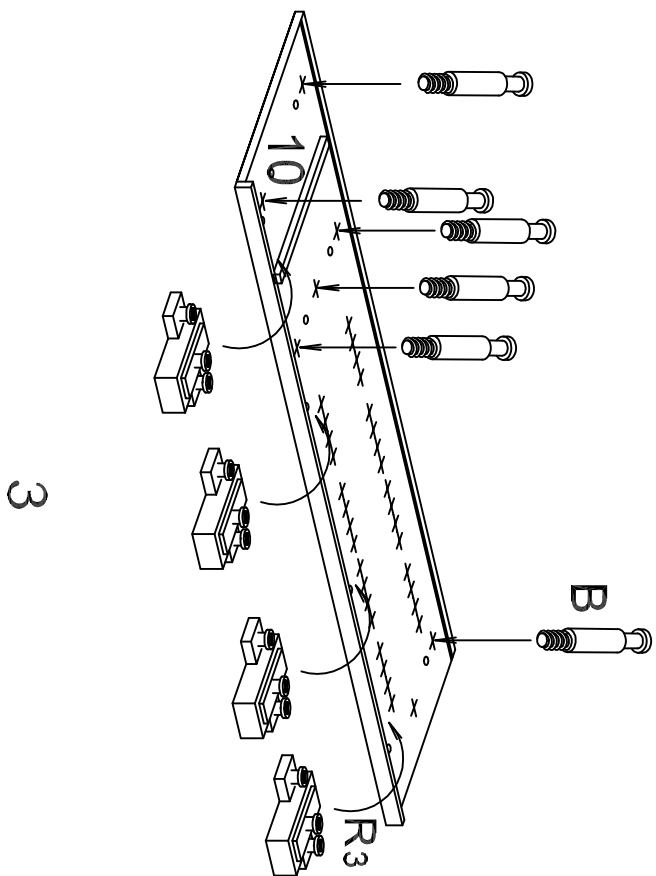
EDENBERG 3



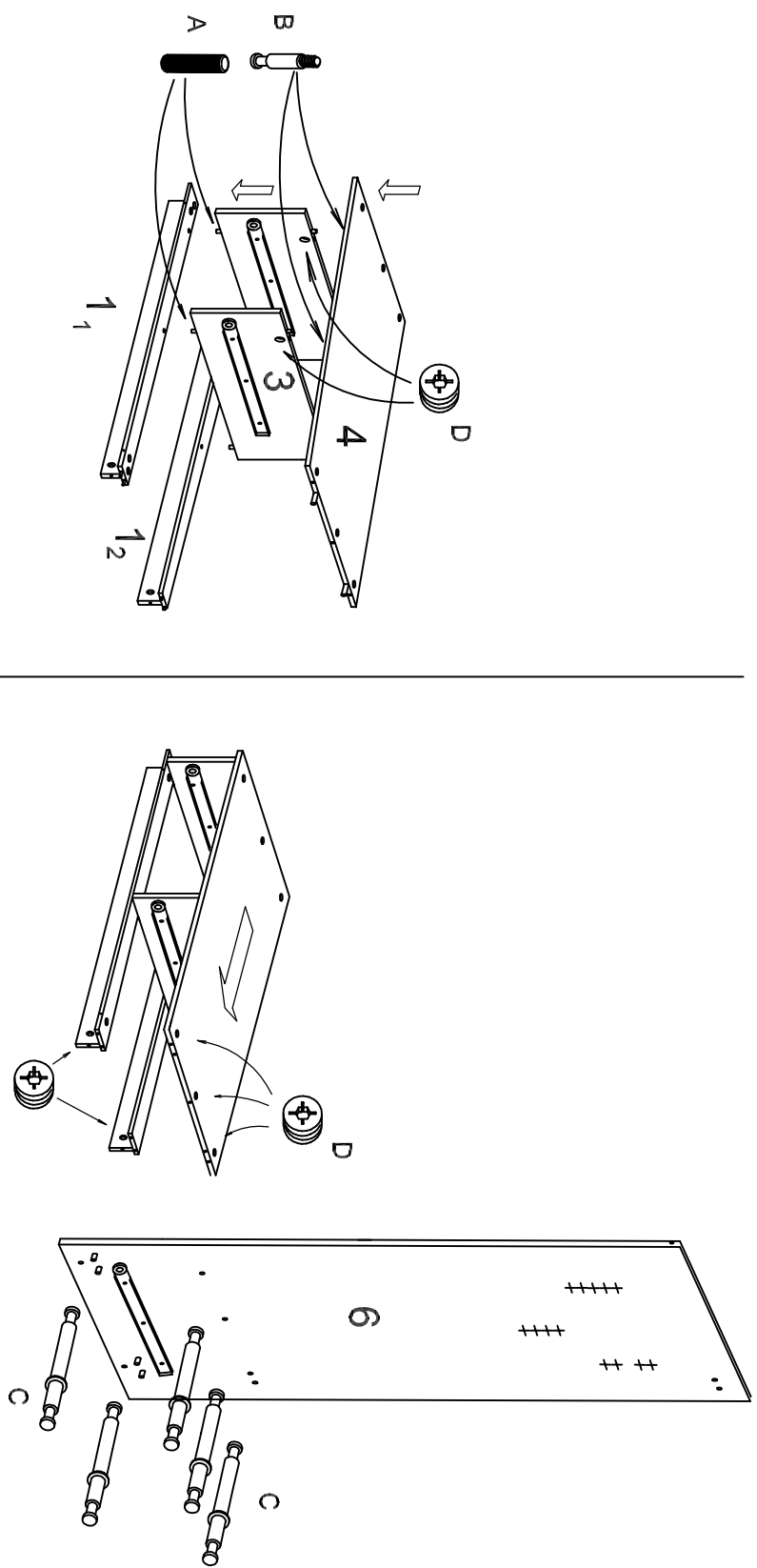
EDENBERG 3



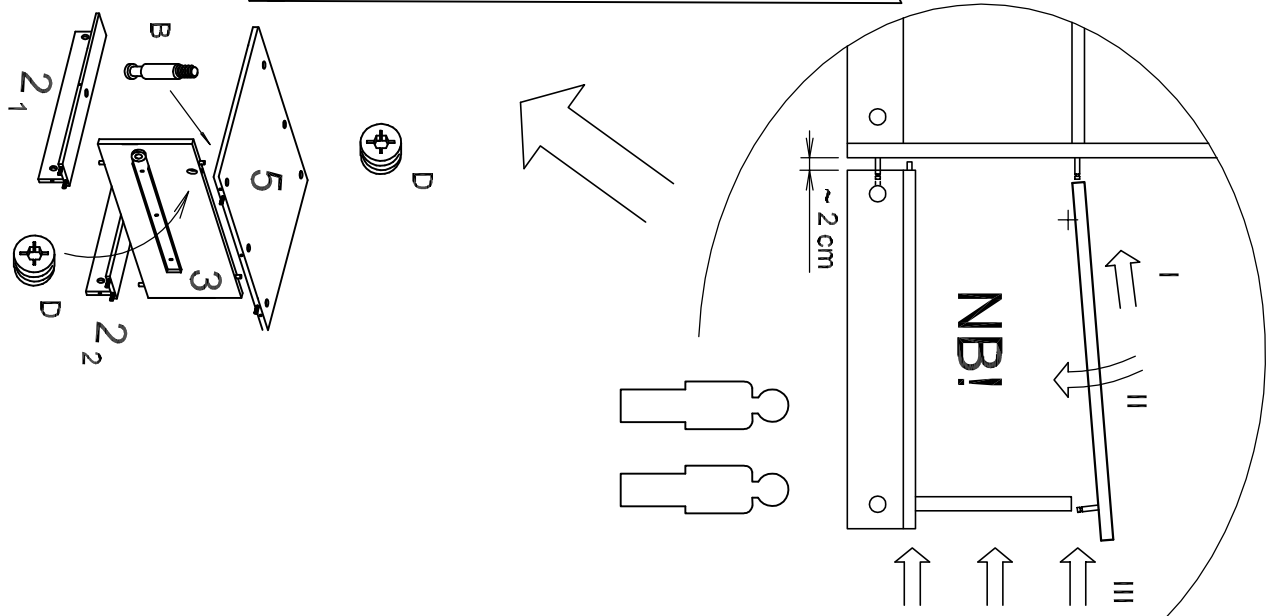
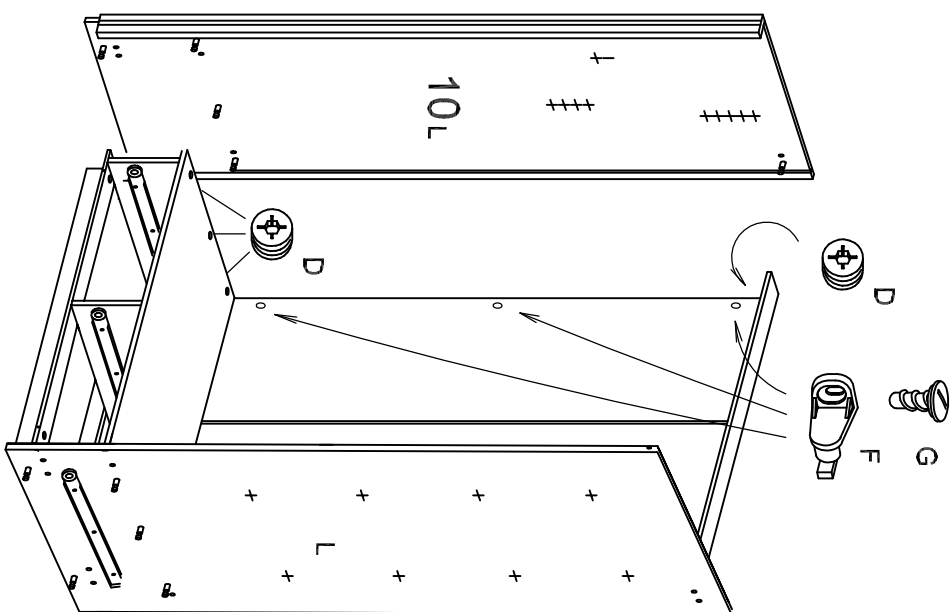
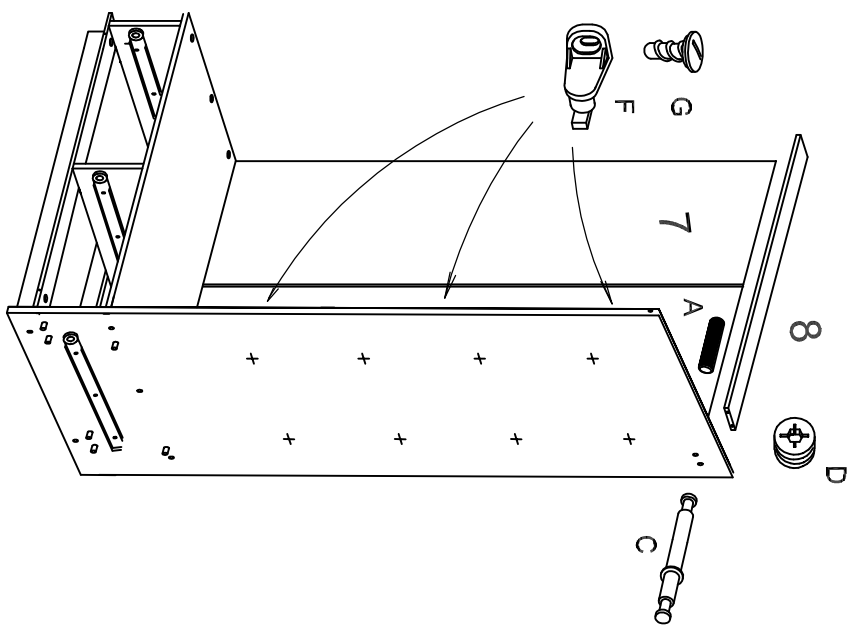
3



EDENBERG 3



EDENBERG 3



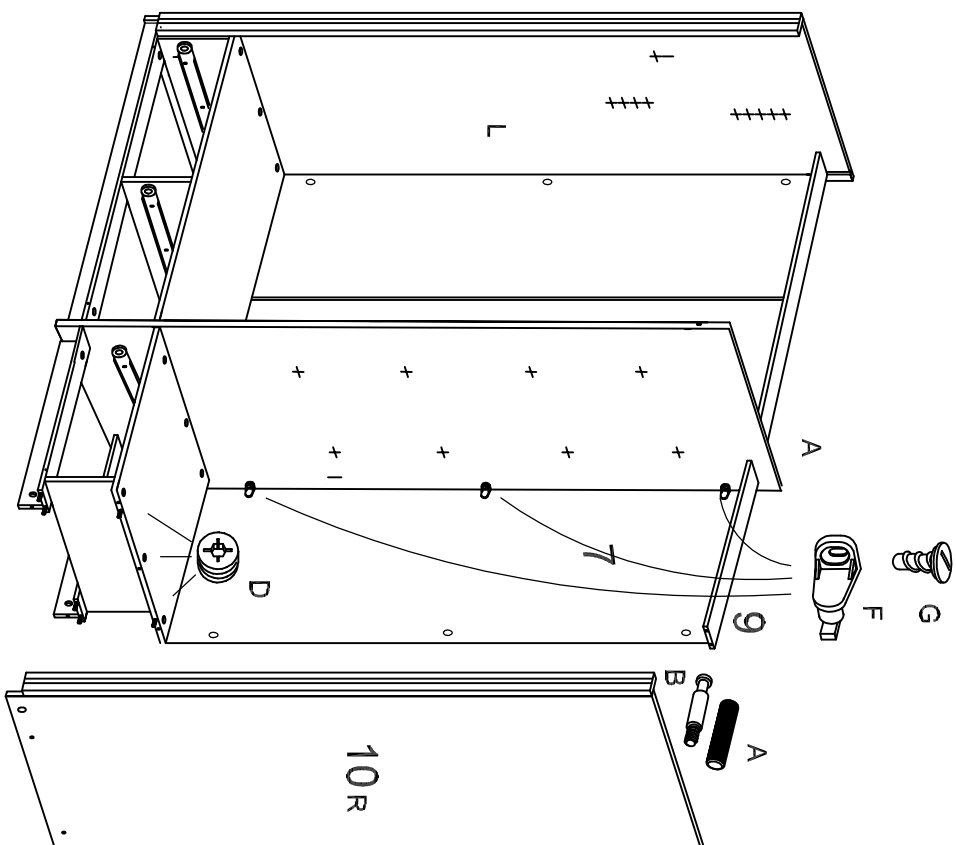
5

10L

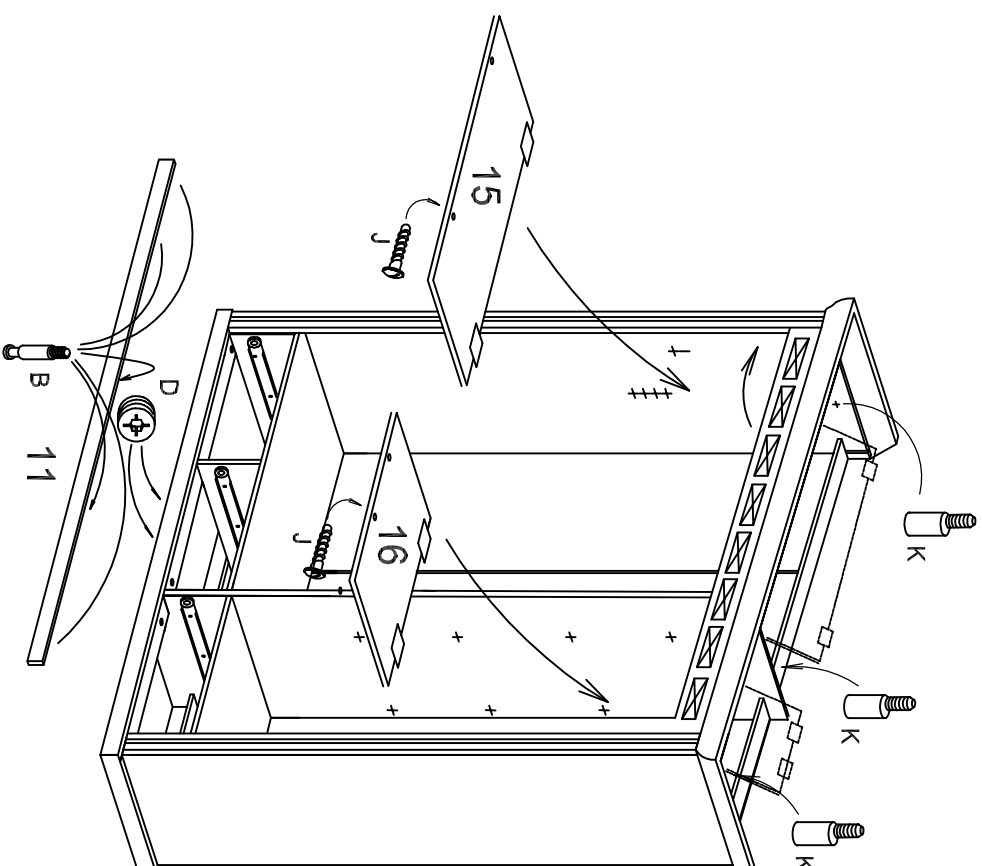
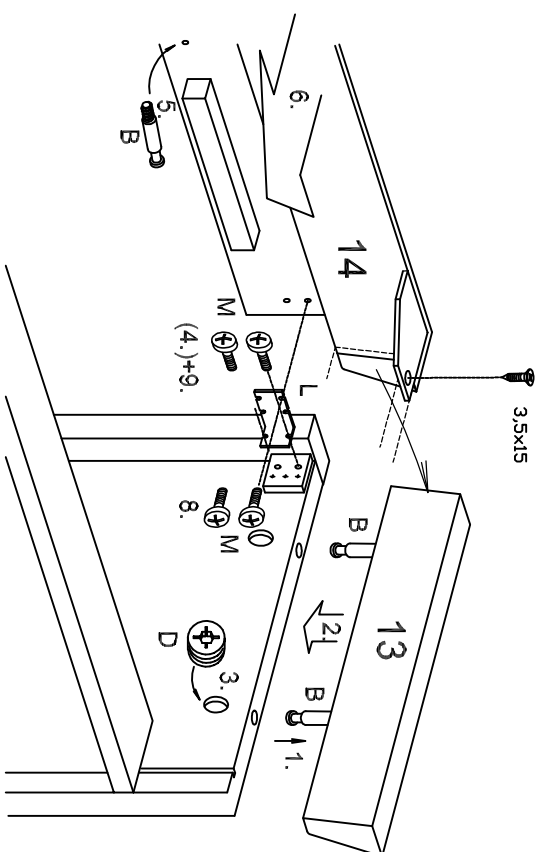
NB!

~2 cm

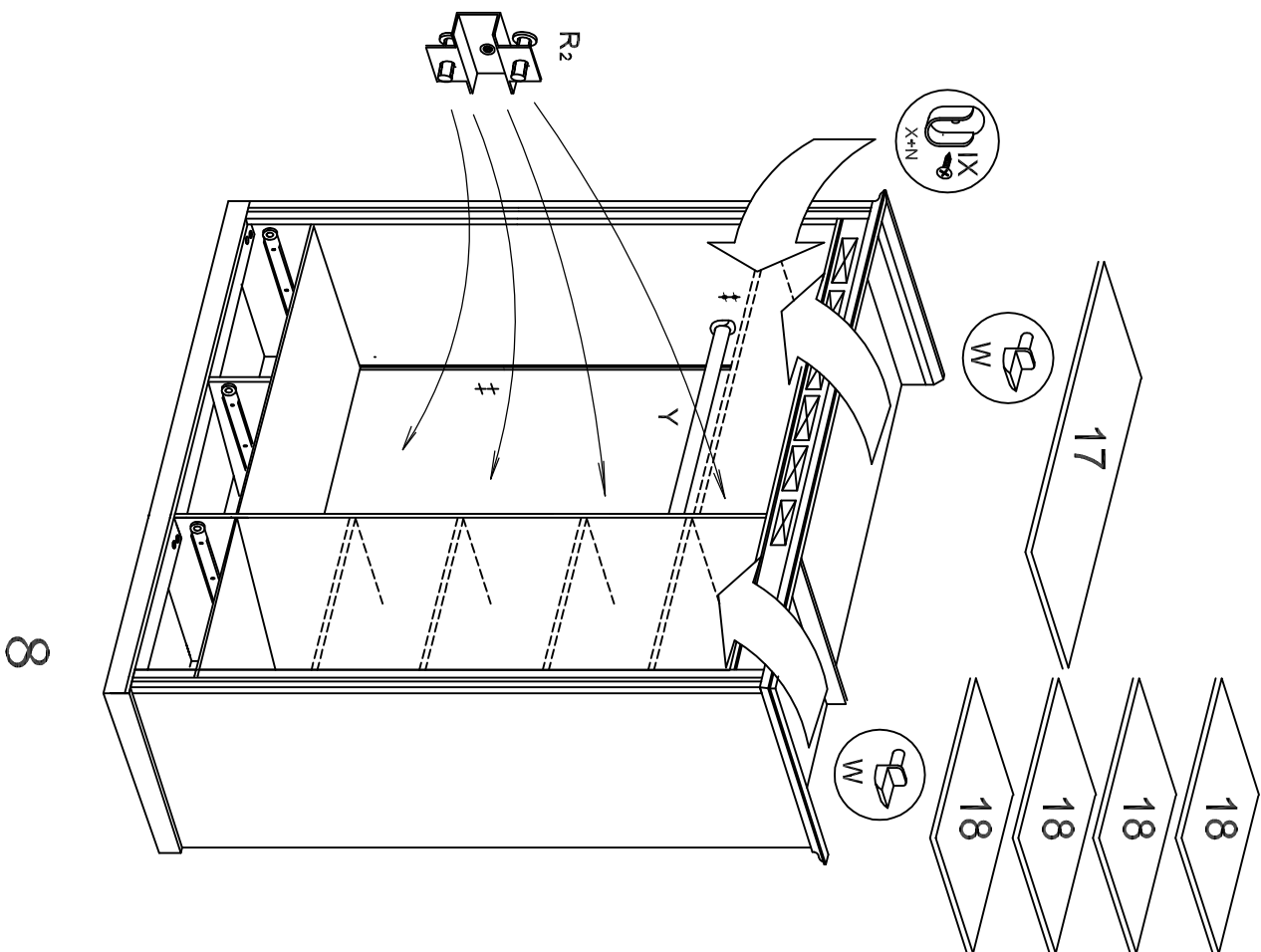
EDENBERG 3



EDENBERG 3



EDENBERG 3



EDENBERG 3

